



Sealmaster Fireglaze Tape

Part of the Dixon
International Group Ltd
www.dig.co.uk

Introduction

Sealmaster Fireglaze Tape is a new universal medium-pressure intumescent glazing strip material especially developed to satisfy the demand for a dry glazing system for both door and screen fire resistant applications. It has been specifically developed to achieve reliable fire performance in both BS and EN Standard fire test applications of 30, 60 and 90+ minutes. Test evidence available on request.

The Product

Sealmaster Fireglaze Tape has been developed to provide excellent high temperature sealing properties combined with the benefit of being a fully flexible strip of intumescent material.

It has been formulated to deliver a unique thermal behaviour comprising the benefits of a volume expansion beginning at 180°C, medium pressure intumescence and high thermal erosion resistance whilst being a completely dry system.

The unique thermal behaviour of the product allows it to be used across a very wide range of fire glazing applications. It is particularly useful when volume expansion, thermal insulation and high temperature durability are required.

Application

Sealmaster Fireglaze Tape is a dry glazing material with a strong adhesive backing to allow rapid and easy installation into both fire door apertures and fire glazing screens.

The material can be easily cut with scissors or a sharp knife and so is very easy to fit to glazing beads and other precision-dependent applications.

It also requires no additional surface protection because it is resistant to atmospheric moisture and carbon dioxide.

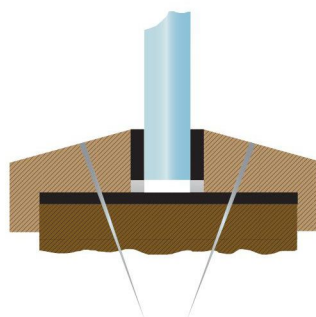
It can be used with integrity only, semi-insulating and fully-insulating fire resistant glazing and can be used for fire test durations from 30 minutes up to 90 minutes and beyond.

Sealmaster Fireglaze Tape can also be used as a **glazing liner** for fire door / screen apertures so this one product can fit two applications where required.

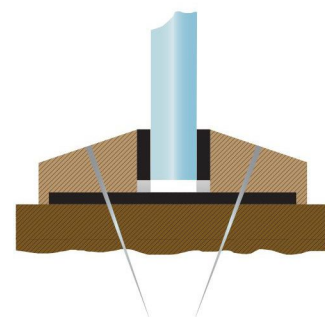
The benefit of using it as both a **glazing tape** and **aperture liner** is that when it is used in this combination it forms a thermally resistant "U" shaped protection for the edge of the glazing aiding both integrity and insulation applications.

Sealmaster Fireglaze Tape can also be used for a variety of applications in fire rated composite door systems.

Fire Door Applications



Fire Screen Applications



Key

- | | |
|--|---|
|  Fire Resistant Glass |  Softwood or Hardwood Timber Beading |
|  Sealmaster FireGlaze Tape:- Glazing tape & aperture liner (Aperture liner not required for 30 minute applications) |  Glazing Setting Block |
| |  Pins or Screws |
| |  Fire Door / Screen - 30, 60, 90+ minutes applications |



Continued overleaf



Sealmaster Fireglaze Tape

Part of the Dixon
International Group Ltd
www.dig.co.uk

Description

Sealmaster Fireglaze Tape is a flexible intumescent tape product exhibiting a medium pressure intumescent behaviour when exposed to heating with a degree of expansion of up to 10 times its original volume.

The resistance to thermal erosion is exceptional allowing it to be used with a very broad range of fire glazing systems including 30, 60 and 90 minute applications and beyond.

On exposure to heating the unique chemical formulation allows the product to retain char stability to 1000°C, far surpassing other comparable products currently on the market.

Sealmaster Fireglaze Tape is also available in rigid PVC holders for particular applications and is called **Sealmaster Fireglaze Plus**.

Sizes

Sealmaster Fireglaze Tape can be supplied in standard lengths of 1050mm, 2100mm. It is available in a width of choice from 10mm to 130 mm and above and in two standard thicknesses of 2.5mm and 4.0mm.

Colours

It is available in the colours of grey as standard or black on request. Contact our Technical Department for enquiries.



Contacting Us

Sealmaster, Brewery Road,
Pampisford, Cambridge,
CB22 3HG, England

Phone: 01223 832851

Fax: 01223 837215

Email: info@sealmaster.co.uk



Design, Innovation & Manufacture since 1962

www.sealmaster.co.uk

