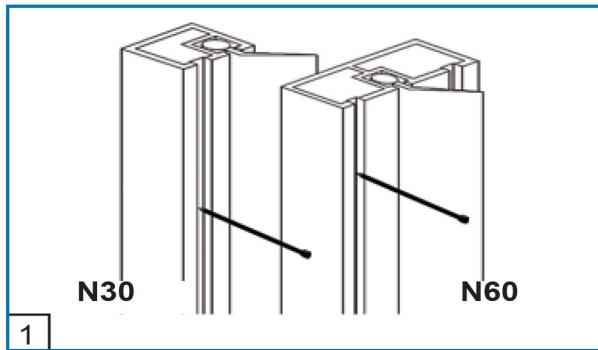




## Sealmaster N30 & N60

Part of the Dixon  
International Group Ltd  
[www.dig.co.uk](http://www.dig.co.uk)



## Fitting Instructions

**N30 (FD30S) - 30 MINUTES**  
**N60 (FD60S) - 60 MINUTES**

**FOR SINGLE-ACTING SINGLE LEAF 30 minutes and 60 minutes FIRE DOORS AND DOUBLE LEAF REBATED FIRE DOORS.**

### N30 on SINGLE LEAF 30 minutes Doors

This seal (Fig.1) can be rebated into the head and jambs of the door frame, usually in line with the centre of the door edge. (Fig.2). Alternatively it may be rebated into the top rail and stile of the door. (Fig.3 and Fig.4). Either method gives equally effective protection against fire penetration. Carefully note the direction in which the blades point. The seal is broken at the hinges and the lock/latch plate. These areas are protected by Sealmaster Intumescent Plugs. (See separate data sheet).

### REBATED DOORS

The seals are rebated into each leaf and the blades angled (Fig.5).

### N60 on SINGLE LEAF 60 minutes DOORS

This seal (Fig.1) may be rebated into the head and jambs of the door frame (Fig.6) or in the top rail and stiles of the door. (Fig.7 and Fig.8).

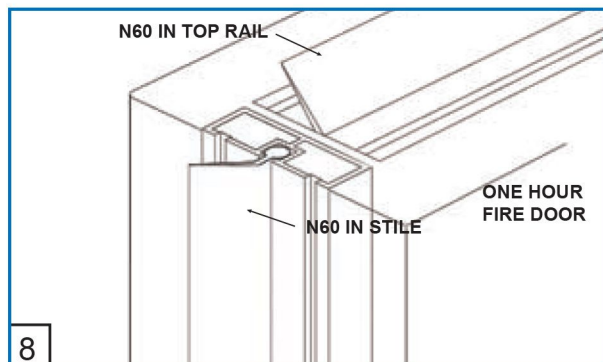
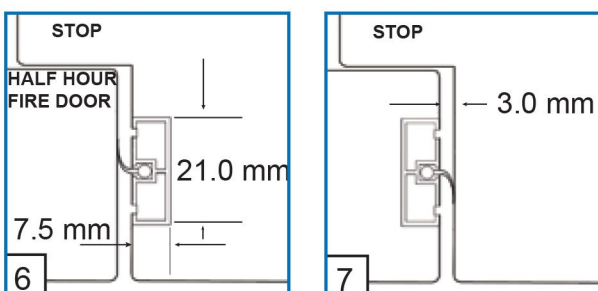
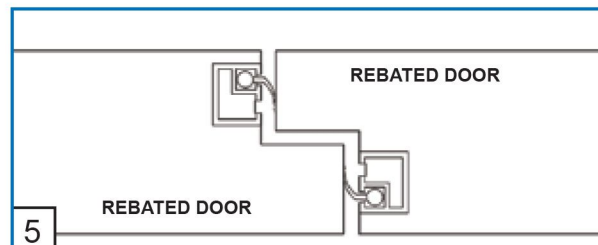
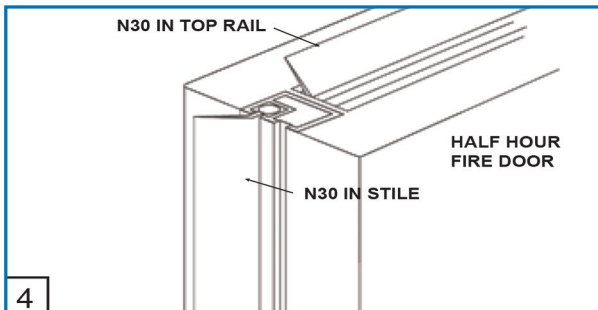
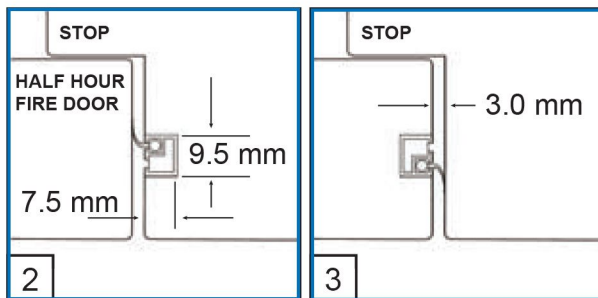
It is most important that the correct width and depth of rebate is cut, as remedial work can be costly in time and money. The sizes given here take into account acceptable variations in tolerances of extrusions.

Seal	Extrusion Width	Extrusion Depth
N30	9.5 mm	7.5 mm
N60	21.0 mm	7.5 mm



We recommend that the groove be routed to give a 'light press fit' for the extrusion. The seal should finish flush with the timber. The recommended door-to-door gap and door-to-frame gap is 3mm.

Intumescent strips are supplied in standard lengths of 1050mm. Short ends, resulting from cutting to fit, can be used butted up to each other. Cut ends require no treatment. Strips should be pinned every 200mm or as required. All corners of timber components must be well rounded to prevent damage to the insert and ensure ease of adjustment. Contact surfaces for the blade should be finished, smooth and fair. Solvent based glues, paints, varnishes etc. must not come into contact with neoprene inserts.



[www.sealmaster.co.uk](http://www.sealmaster.co.uk)